



**ADAS**  
CALIBRATION

**RCCS3 DIGITAL**  
**INNOVATION**

Laser Accurate ADAS Calibration & HD 4K Target Representation That Meets OE Specification

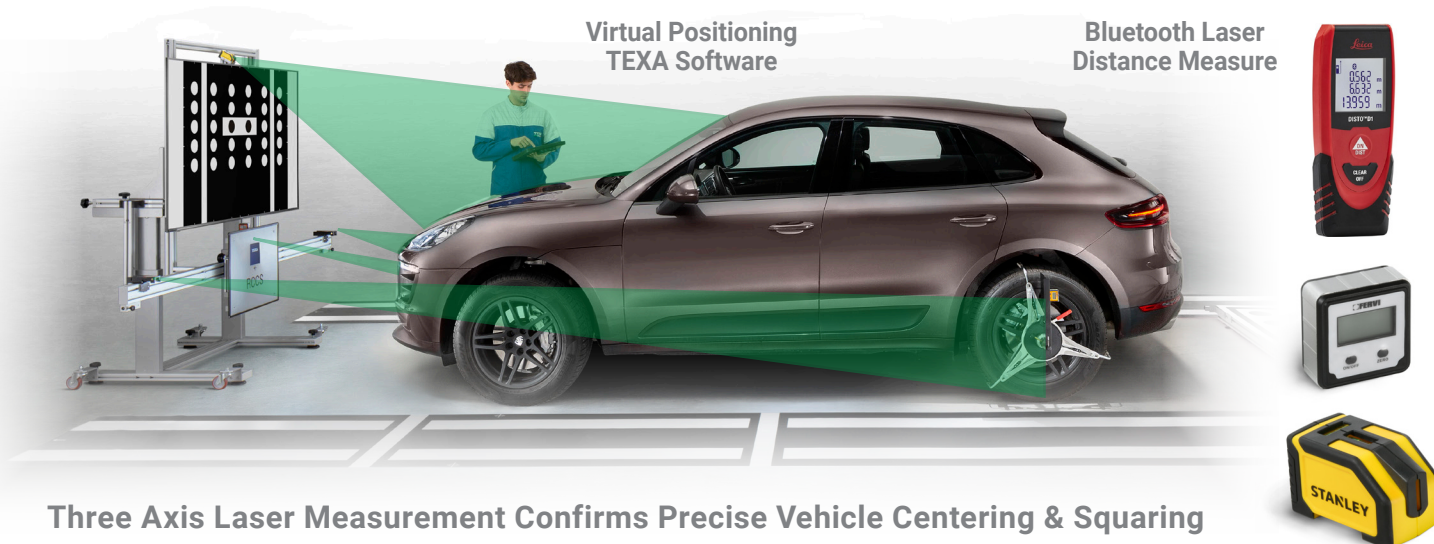


**MULTI-BRAND DIAGNOSTICS SPECIALIST**

MADE IN ITALY / OEM Partner / OE LEVEL Diagnostic Platform

# DIGITAL INNOVATION

## LASER ACCURATE ADAS CALIBRATION

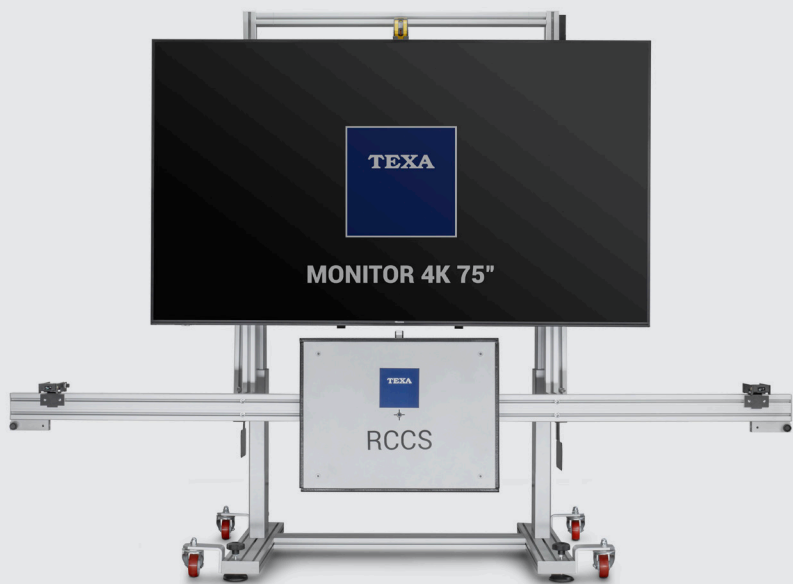


Virtual Positioning  
TEXA Software

Bluetooth Laser  
Distance Measure

Three Axis Laser Measurement Confirms Precise Vehicle Centering & Squaring

### 75" 4K HD Monitor Digital Target Representation



### BLUETOOTH LASERS

Synchronise with your IDC5 Software To Access Specific Instruction For Accurate Frame Positioning



### ACCURATE MOVING

Calibration Frame Precise Adjustments By Guided Software Confirmation Steps



### MINI ONBOARD PC

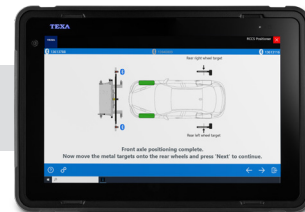
A Dedicated PC Computer Will Synchronise With Your TEXA IDC5 Software

1:1 Proportion Ratios For ALL Targets  
Meet OE Specifications For Every Manufacturer

Target Images Are Transmitted By IDC5 Software To Onboard PC and Positioned Based On The Vehicle Selection Made

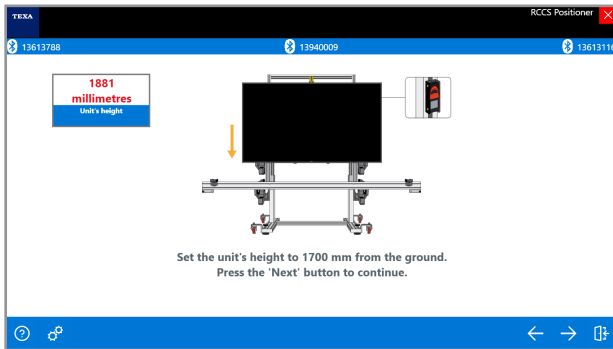
### COMPATIBILITY

IDC5 software is designed to function installed on AXONE or any Windows based laptop or tablet.

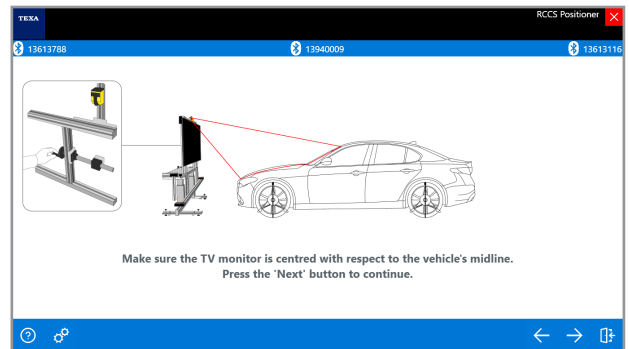


# BLUETOOTH LASER DISTANCE MEASURE

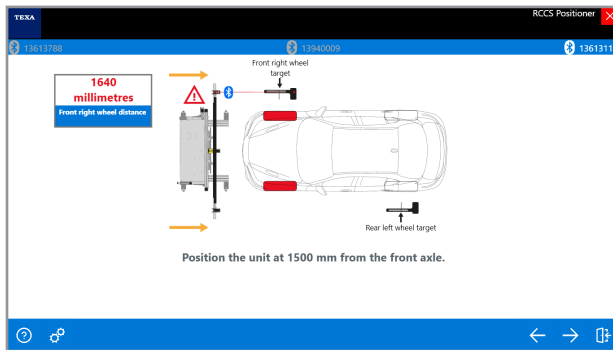
## VIRTUAL POSITIONING - ACCURATE CENTERING & SQUARING OF VEHICLE



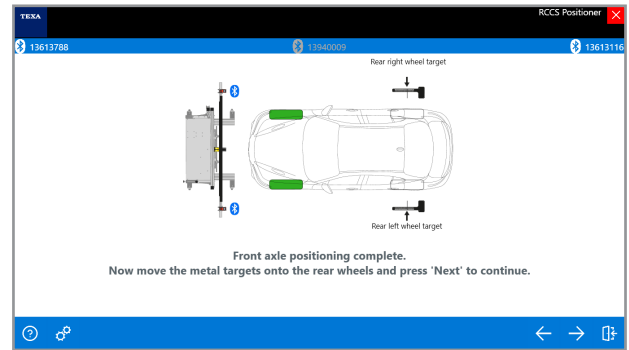
**1** Confirm Electronic Height Movement To Position Correctly Before Centering



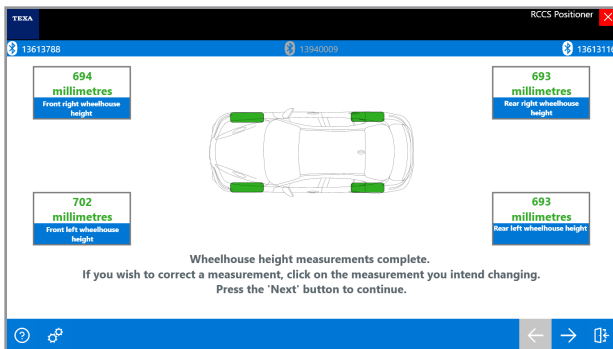
**2** Micro Adjustment For Monitor Centering With Respect To The Vehicle Centre Center Line



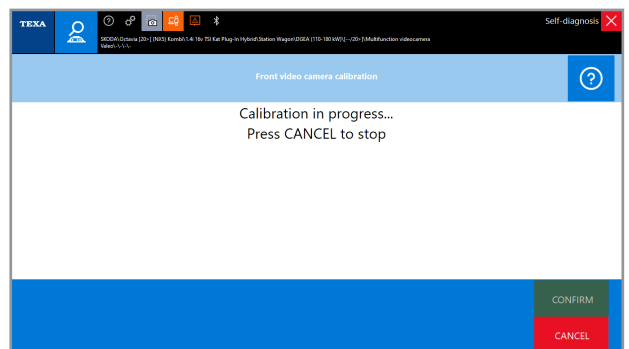
**3** Place Wheel Clamps On The Indicated Points To Start The Guided Positioning Procedure.



**4** Front Axle Positioning Completed Successfully, Proceed With The Rear Axle Guided Procedure.



**5** Accurate Centering & Squaring Of Vehicle To Calibration Frame is Confirmed



**6** Confirmed To Proceed With Chosen Calibration Function

## MICRO ADJUSTMENTS

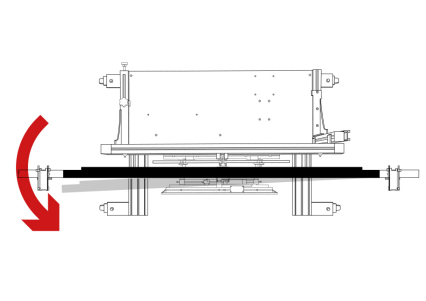
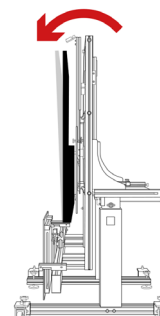
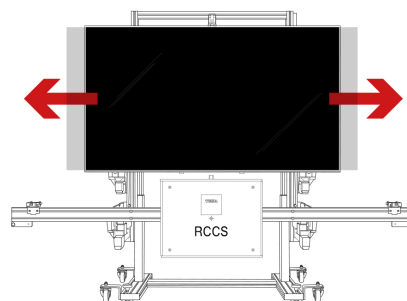
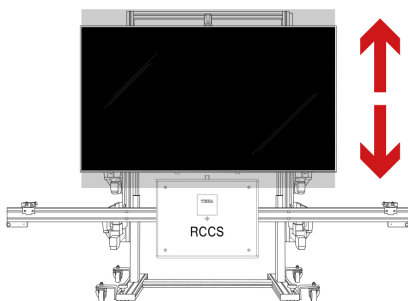
PRECISE / SIMPLE / QUICK - GUIDED MOVEMENT INSTRUCTION

UPWARD MOVING

SIDE SHIFTING

FRONT TILT

SIDE TILTING



IDC5 Software Confirms Step-By-Step Laser Distance Measure Calibration Frame Adjustments

# CALIBRATION ACCESSORIES

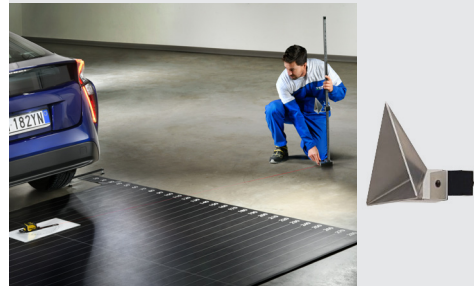
IR Calibration Target & Night Vision



ACS - 360 Degree Cameras & Doppler



Blind Spot Radar Reflector



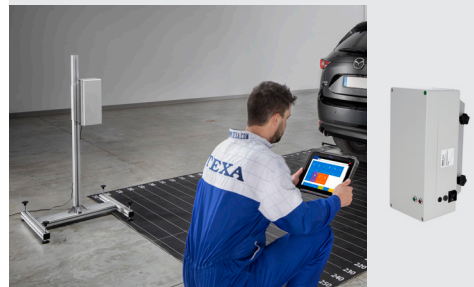
IR Calibration Target & Night Vision



360 Mats - Toyota / Lexus / Scion / Suzuki



Doppler Simulator



## BASIC ADAS PACKAGE Camera Calibration Kit

## ADVANCED ADAS PACKAGE Camera / 360 / Night Vision / Infrared / Radar Calibration Kit

### PACKAGE INCLUDES

- RCCS3 BT Calibration Frame
- 75" 4K Display Monitor
- BT Distance Measures
- Self-Centering Wheel Clamps



### PACKAGE INCLUDES

- RCCS3 BT Calibration Frame
- 75" 4K Display Monitor
- BT Distance Measures
- Pair of Self-Centering Wheel Clamps
- ACS (All Around Calibration System)
- Blind Spot Cone Support Kit
- Cadillac Camera Calibration Mat
- VAG Rear Camera Calibration Panel
- VAG 360 Camera Calibration Mat Pair
- VAG / Mazda Doppler Simulator
- Mazda Radar Calibration Kit
- Mercedes 1 & 2 / Nissan Rear Camera
- Honda / Acura Rear-View Panel

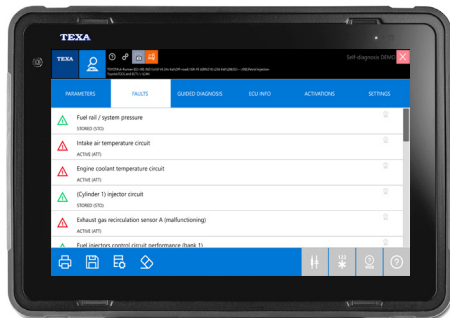


## PRE-SCAN / POST CALIBRATION REPORT

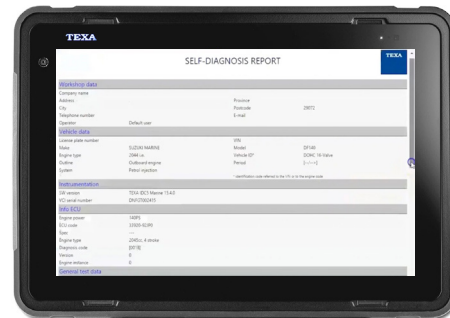
PDF FILE EASILY PRINTED OR SAVED TO SHOP SYSTEM FOR INSURANCE CARRIER SUBMISSION



1 Confirm Vehicle System Data



2 Global System Scan All DTCs



3 Create Vehicle System Report